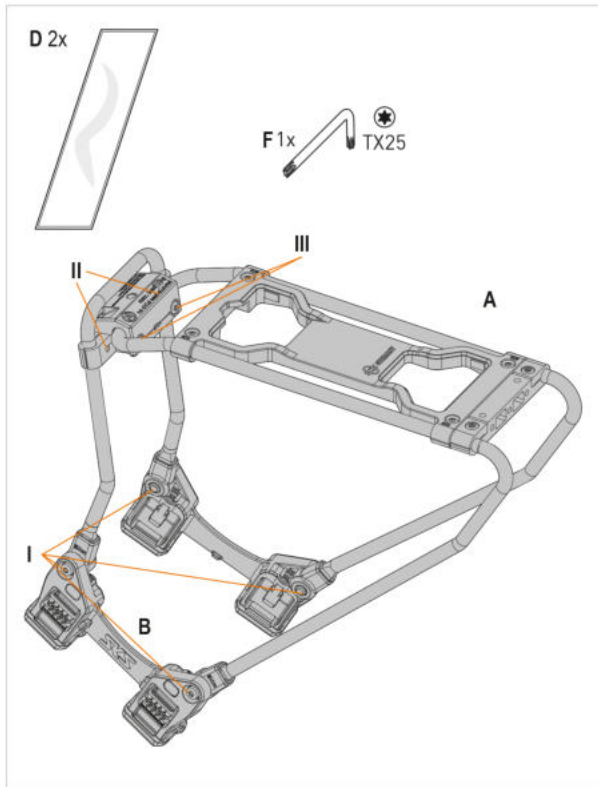


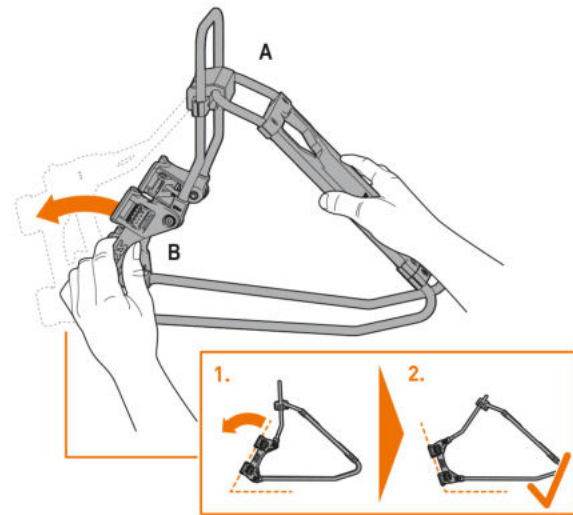
EN . Scope of delivery



EN . Prepare luggage carrier

01

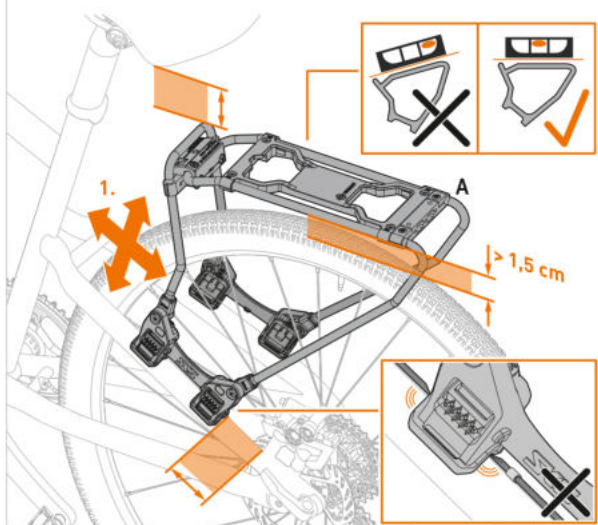
EN
Bring luggage carrier (A) into mounting position by folding out frame adapter (B).
mounting position.
Tip: If necessary, slightly loosen screws I - III to facilitate alignment.



EN . Aligning the luggage rack

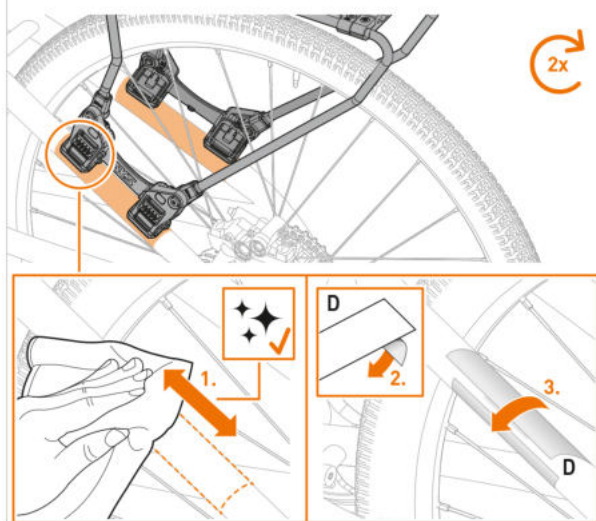
02

EN
Place the luggage rack (A) on the bicycle frame and roughly align it.
Please note. Ensure sufficient distance to the saddle, brake and rear wheel. The luggage rack must not block any cables. If necessary, pull apart/compress struts to fit rack to width of seat stays.



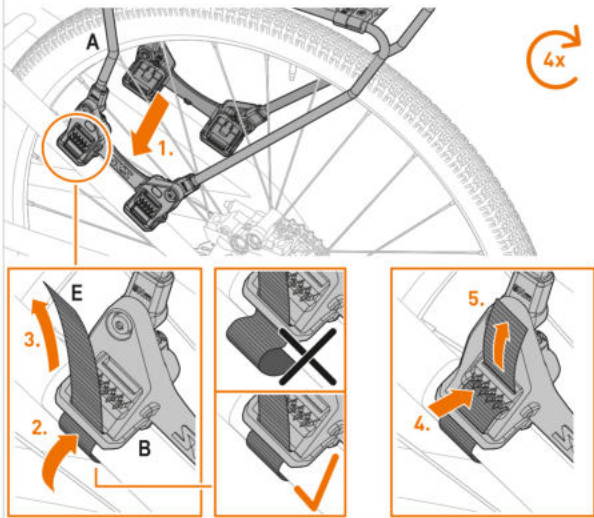
03

EN
Remove the luggage rack (A) again and stick transparent protective foils (D) onto the frame at the support points.
Please note. The subsurface must be clean and free of grease.

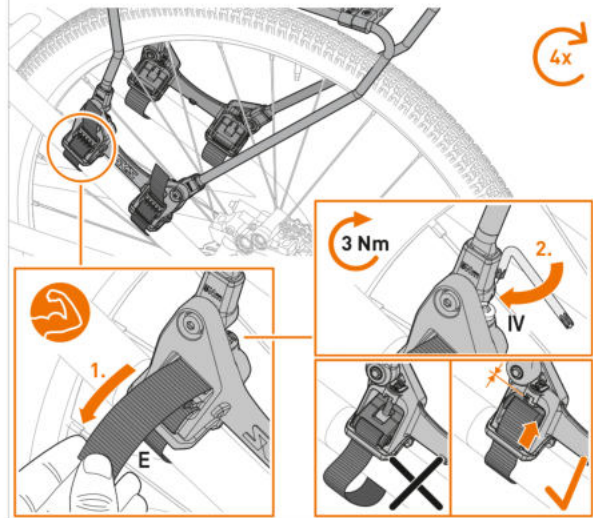


EN . Mounting the luggage rack

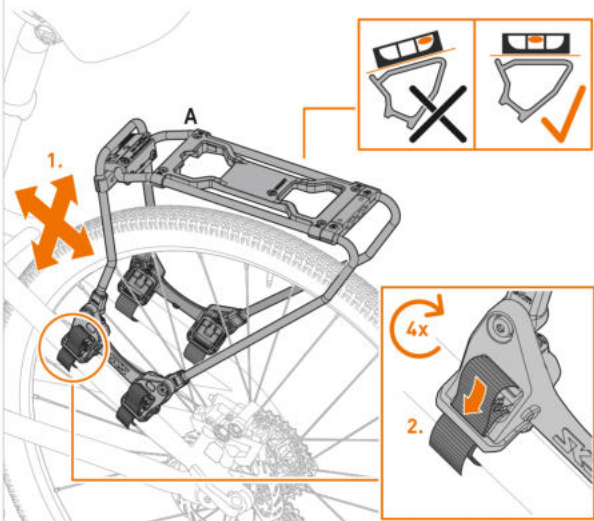
04 EN
Place the luggage rack (A) on the protective foils (D). Guide the straps (E) around the frame and thread them into the Frame adapter (B).
Please note. Wiggle the straps slightly to the right and left to make them easier to push through the tensioner.



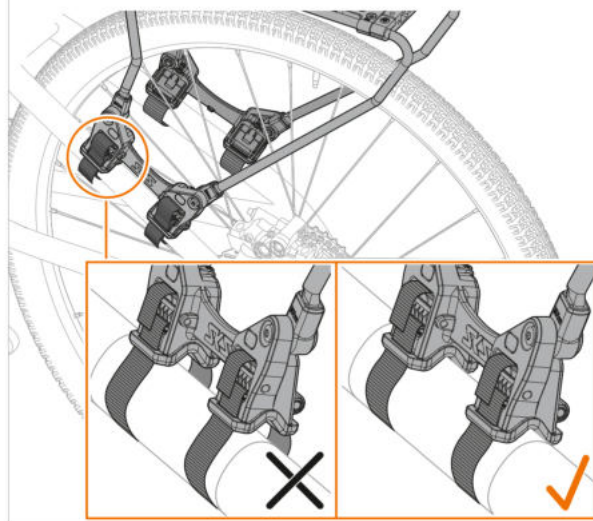
05 EN
Pull the straps (E) down with slight force, hold them and fix them with the screw (IV).
Please note. Tighten the screw (IV) with 3 Nm. The tensioner must be tightened to the end stop.



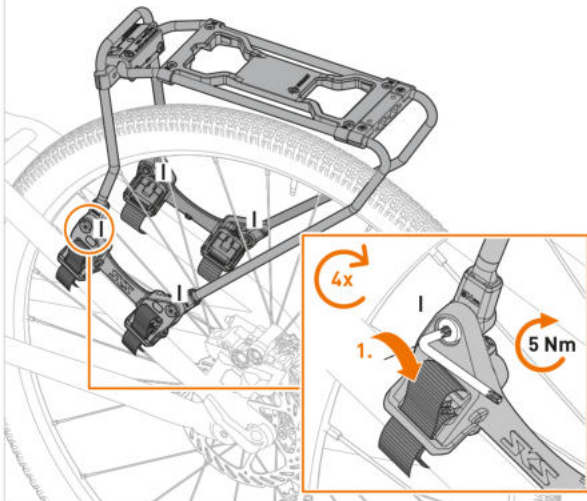
06 EN
Align the luggage rack (A) horizontally and centred over the rear wheel.
Tip. Thread any protruding straps into the tabs provided.



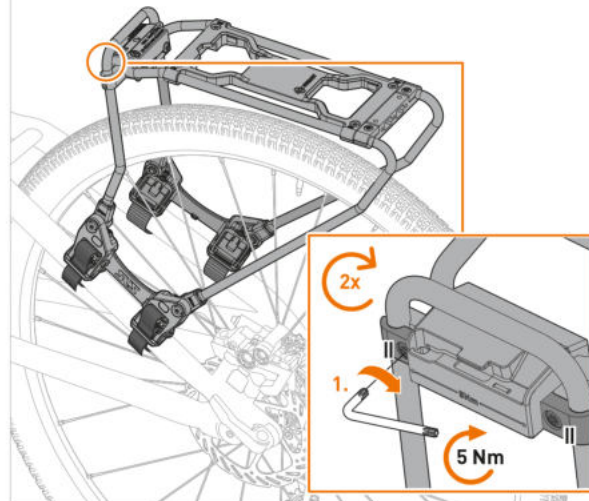
07 EN
Visual inspection. Check for correct seating of the support points on the bicycle frame.
Please note. Cables must not block after mounting.



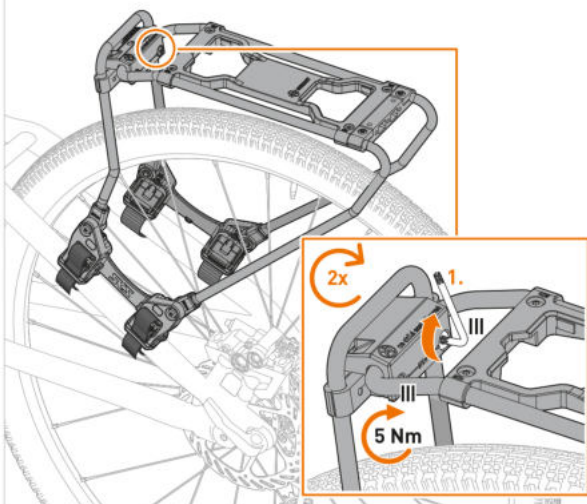
08 EN
Tighten the screws (I) in the frame adapters (B) to fix the alignment of the luggage rack.
Please note. Tighten the screws (I) with 5 Nm.



09 EN
Tighten the screws (II) on the luggage rack.
Please note. Tighten the screws with 5 Nm.

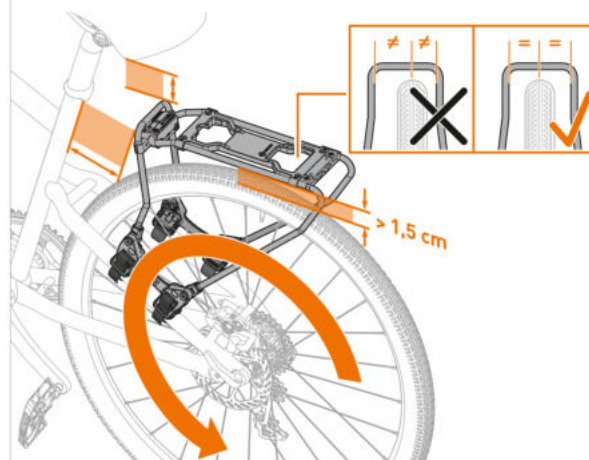


10 EN
Tighten the screws (III) on the luggage rack.
Please note. Tighten the screws with 5 Nm.



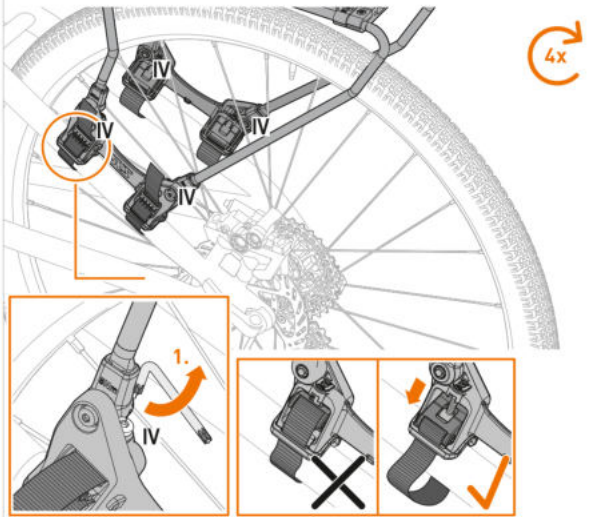
11 EN
Visual inspection. Check the distance to all moving components on the bicycle: for example the seat post, rear wheel and brake.
Please note. With suspension frames, ensure sufficient clearance for the entire suspension travel.

Otherwise. Loosen the screws (I-IV) and repeat steps 02-11.

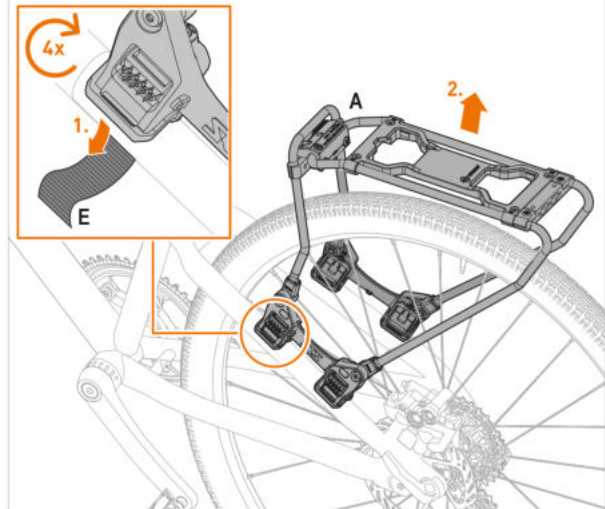


EN . Dismantling the luggage rack

- 01** EN
Loosen screws (IV) completely to release the straps.



- 02** EN
Pull the straps (E) out of the tensioner and remove the luggage rack (A) upwards.



EN . Safety instructions

Carefully read the entire safety instructions and follow the instructions.

Safety instructions.

- Injury hazard. No child seats must be mounted or persons transported on the luggage rack.
- Injury hazard. The product contains small parts that could be swallowed. Keep the product or individual components away from children.
- Always mount the INFINITY UNIVERSAL luggage rack using the mounting material supplied. Do not block any cables on the bicycle frame with the support points or tensioning straps.
- Material damage. Before mounting, please ensure that the bicycle is approved for mounting clamped luggage racks. The luggage rack must not be mounted on carbon frames.
- Injury hazard. Do not exceed the permissible load of 12 kg.
- Injury hazard. Ensure sufficient distance between the product and the rear wheel. The rear wheel must always turn freely. In addition, with suspension frames, ensure sufficient clearance for the entire suspension travel. Lowerable seat posts must also never collide with the luggage rack.
- Injury hazard. The maximum system weight of the bike must not be exceeded.
- Regularly check and retighten all screw connections.
- The luggage carrier must not be loaded on one side. When using side panniers, the load must be evenly distributed between the right and left side panniers.

Intended use.

Use only for the intended use as a luggage rack.

Any other use or structural alteration is considered to be not in accordance with the intended use and results in the expiry of the legal and contractual warranty.

Disposal.



Dispose of packaging material in accordance with the applicable national and regional regulations. When disposing of the product, follow the national and regional disposal regulations.